



POWER LEVER X

PREPARE TO RIDE

EN

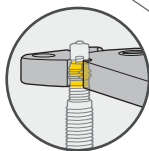
Power Lever X is compatible with all types of master links.



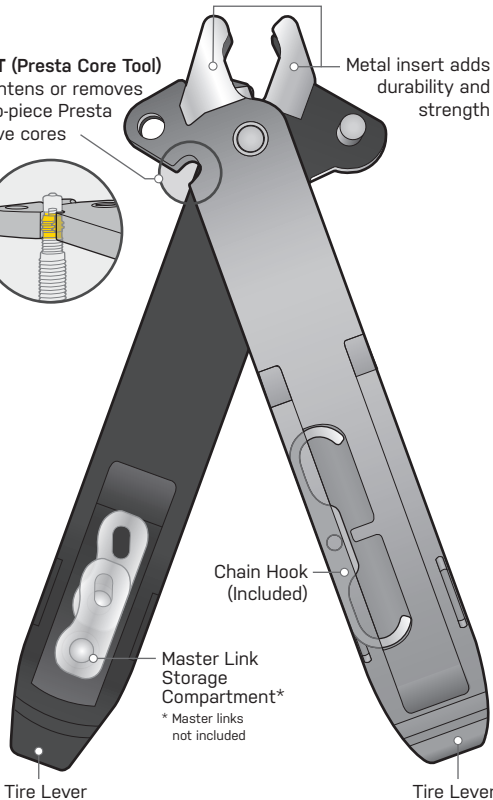
Scan for more info

PCT (Presta Core Tool)

Tightens or removes two-piece Presta valve cores



Metal insert adds durability and strength



Chain Hook (Included)

Master Link Storage Compartment*

* Master links not included

Tire Lever

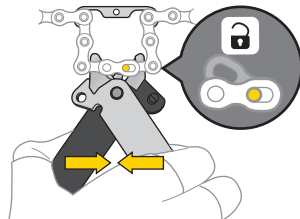
Tire Lever

NOTE:

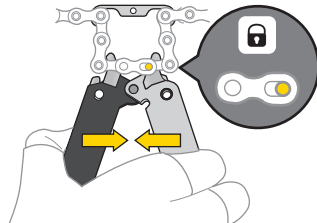
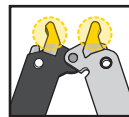
- Power Lever X is not designed to be used on heavy duty, thick casing downhill or extreme offroad riding type tires.
- To fix a chain break, a chain tool is required along with a master link and Power Lever X.

POWER LINK PLIERS

REMOVAL



INSTALLATION



TIRE LEVERS

