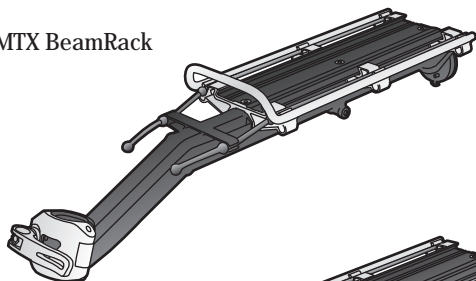
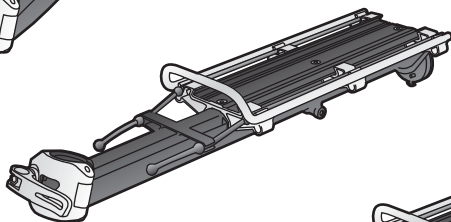


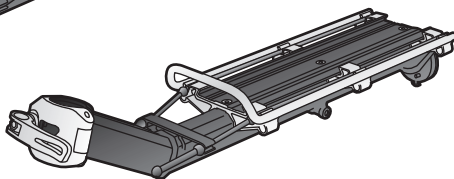
MTX BeamRack



A-Type

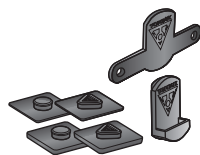
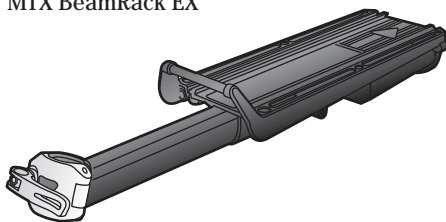


E-Type



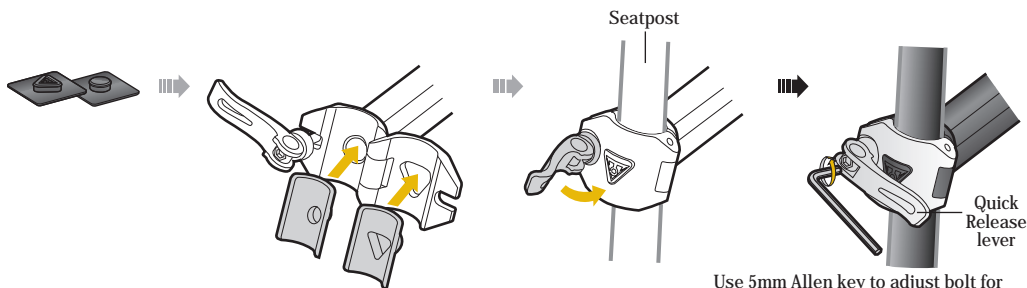
V-Type

MTX BeamRack EX



Rubber Pads, RedLite Mount and Tail Light Mount are included.

INSTALL MTX BEAMRACK ON SEATPOST



Use 5mm Allen key to adjust bolt for correct tension adjustment of quick release lever. Heavier loads may require more bolt tension to prevent rack from twisting on seatpost.

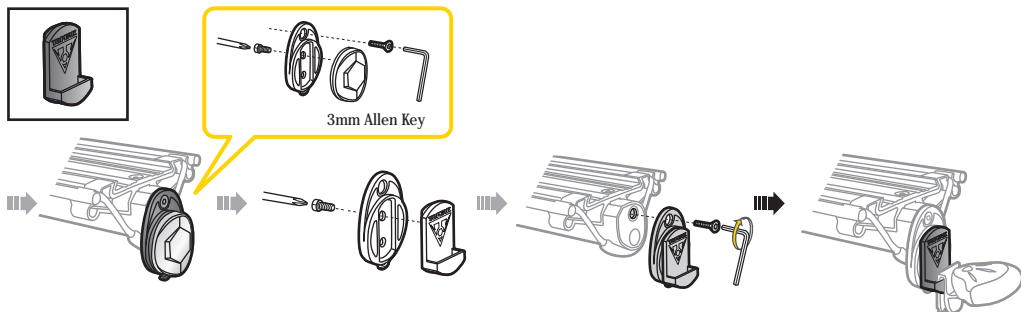
RECOMMENDED RUBBER PAD COMBINATIONS

	for seatpost O/D $\varnothing 31.8 \sim \varnothing 30.6$ mm
	for seatpost O/D $\varnothing 28.6$ mm
	for seatpost O/D $\varnothing 27.2$ mm below

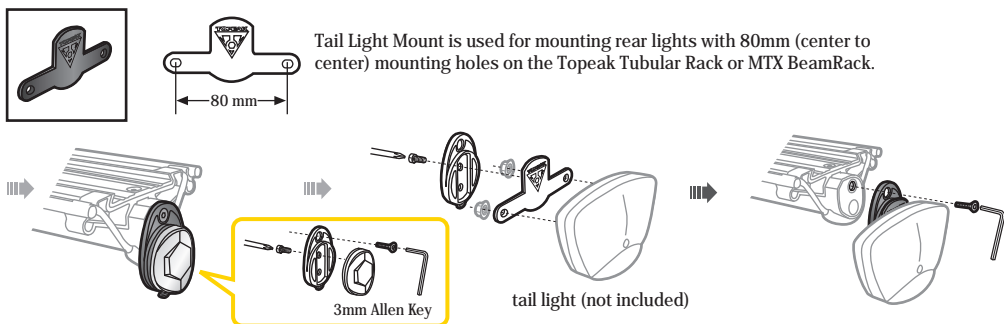


Always keep the quick release lever in the proper closed position when rack is mounted on bike.

INSTALL REDLITE MOUNT ON MTX BEAMRACK



INSTALL TAIL LIGHT MOUNT ON MTX BEAMRACK



OPTIONAL ACCESSORIES

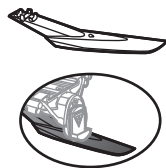
(sold separately)

MTX Dual Side Frame



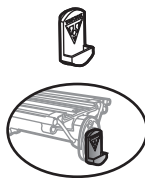
Art no. TC1009

MTX DeFender



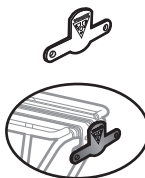
Art no. TC9615

RedLite Mount



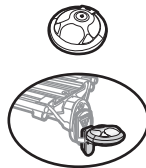
Art no. TC1013

Tail Light Mount



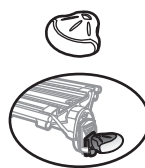
Art no. TC1016

RedLite UFO



Art no. TMS017

RedLite



Art no. TMS004

WARNING NOTES

1. Always use Dual Side Frame when using Trunk Bag with side panniers.
2. Never exceed maximum loading capacity of 20lbs (9kgs) when using MTX BeamRack and 15lbs (7kgs) when using MTX BeamRack EX.
3. Do not attempt to use MTX BeamRack as a passenger seat.
4. MTX BeamRack is not suitable or intended to be used with carbon fiber seatposts.

LIMITED WARRANTY

2-year Warranty: All mechanical components against manufacturer defects only.
Warranty Claim Requirements

To obtain warranty service, you must have your original sales receipt. Items returned without a sales receipt will assume that the warranty begins on the date of manufacture. All warranties will be void if the product is damaged due to user abuse, system alteration, modification, or used in any way not intended as described in this operating manual.

* The specifications and design are subject to change without notice.

Topeak products are available only from professional bicycle shops. Please contact your nearest Topeak authorized bicycle dealer for any questions. For customers in the USA, call: 1-800-250-3068, Website: www.topeak.com