

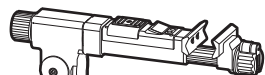


PREPSTAND™ SERIES

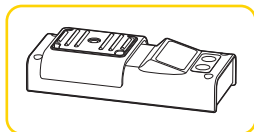
User's Guide

GB

PREPSTAND™ PRO



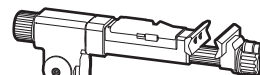
WEIGHT SCALE



Art no. TWSC01

Art no. TW001-1

PREPSTAND™ ELITE



Art no. TW002-1

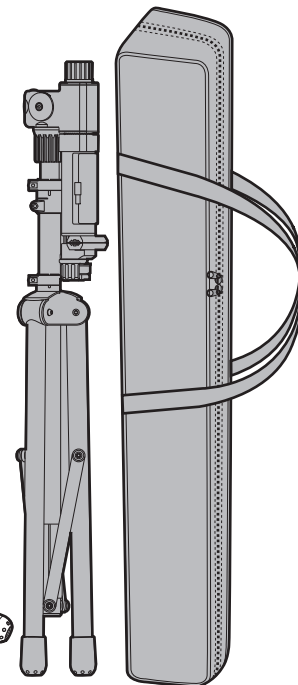


TABLE OF CONTENTS

PREPSTAND ELITE

03-04 : ASSEMBLY

03 : SUPPORT LEG ASSEMBLY

04 : MAIN UNIT ASSEMBLY

05 : ADJUSTMENT

05 : CLAMP STRENGTH ON EXTENSION TUBE
AND CLAMP JAW ADJUSTMENT

05 : ROTATION ADJUSTMENT

06 : SMALL PARTS BOX

06 : SMALL PARTS BOX OPERATION

08-10 : DISASSEMBLY

08 : ROTATE CLAMP ARM TO HORIZONTAL
POSITION

08 : CLOSE CLAMP JAWS

09 : FOLD MAIN UNIT

10 : FOLD SUPPORT LEG ASSEMBLY

06 : PREPSTAND PRO (WITH WEIGHT SCALE)

06 : WEIGHT MEASUREMENT

05-07 : WEIGHT SCALE

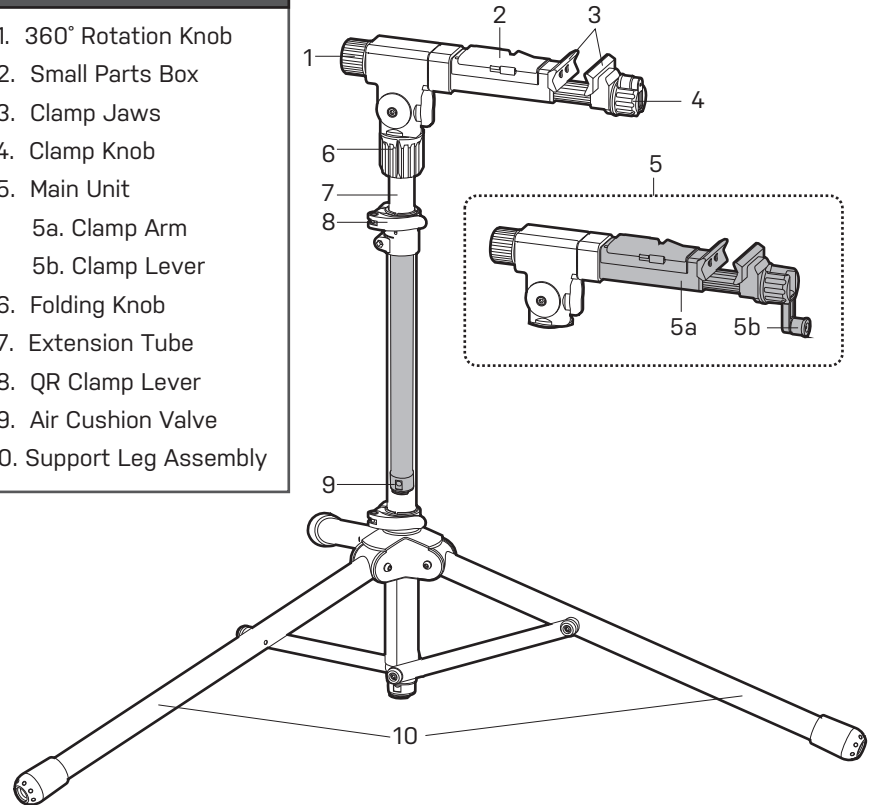
05 : CONVERT SMALL PARTS BOX TO WEIGHT SCALE

07 : QUICK START MANUAL

07 : CHANGE BATTERY

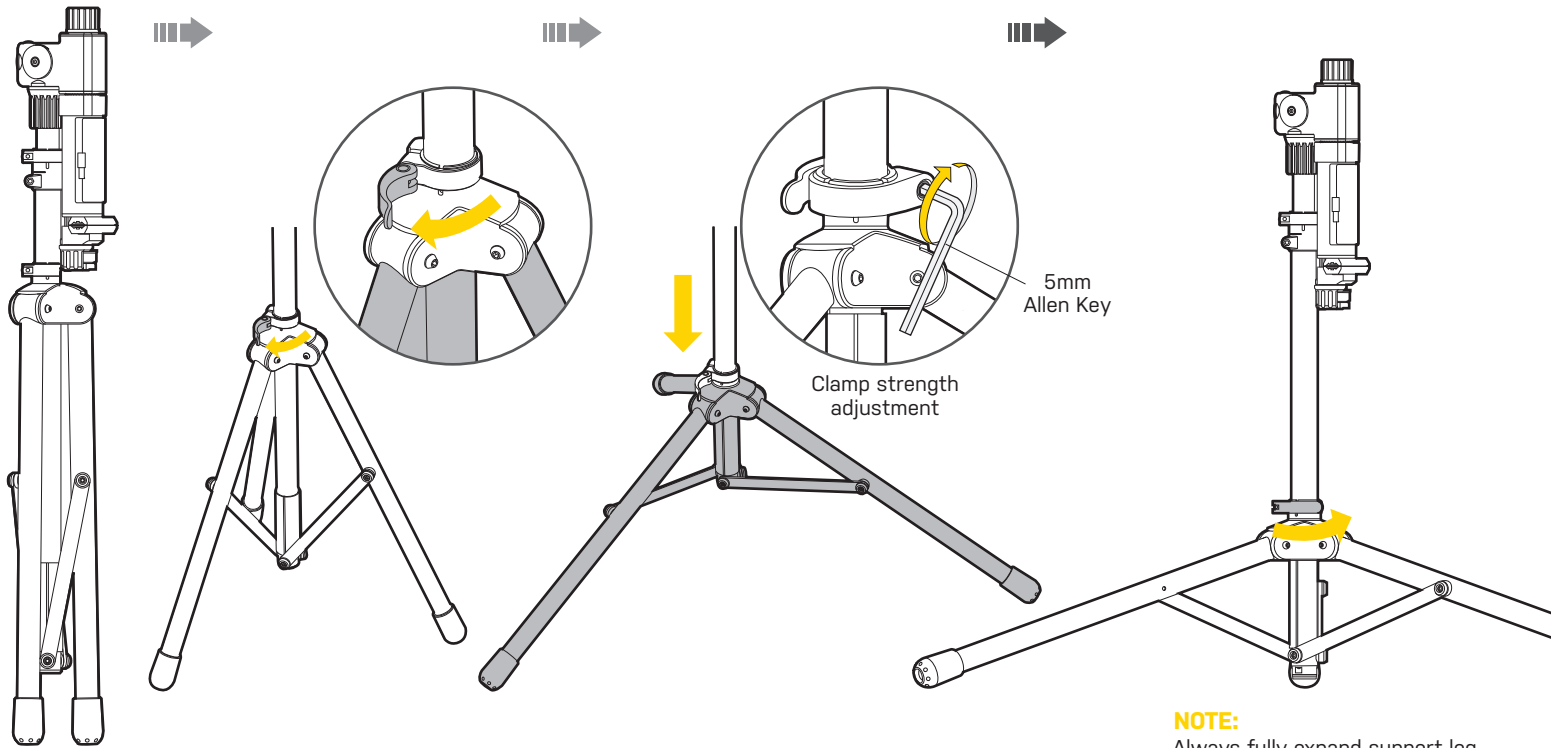
DETAILED PARTS DESCRIPTION

1. 360° Rotation Knob
2. Small Parts Box
3. Clamp Jaws
4. Clamp Knob
5. Main Unit
 - 5a. Clamp Arm
 - 5b. Clamp Lever
6. Folding Knob
7. Extension Tube
8. QR Clamp Lever
9. Air Cushion Valve
10. Support Leg Assembly



PREPSTAND ELITE ASSEMBLY

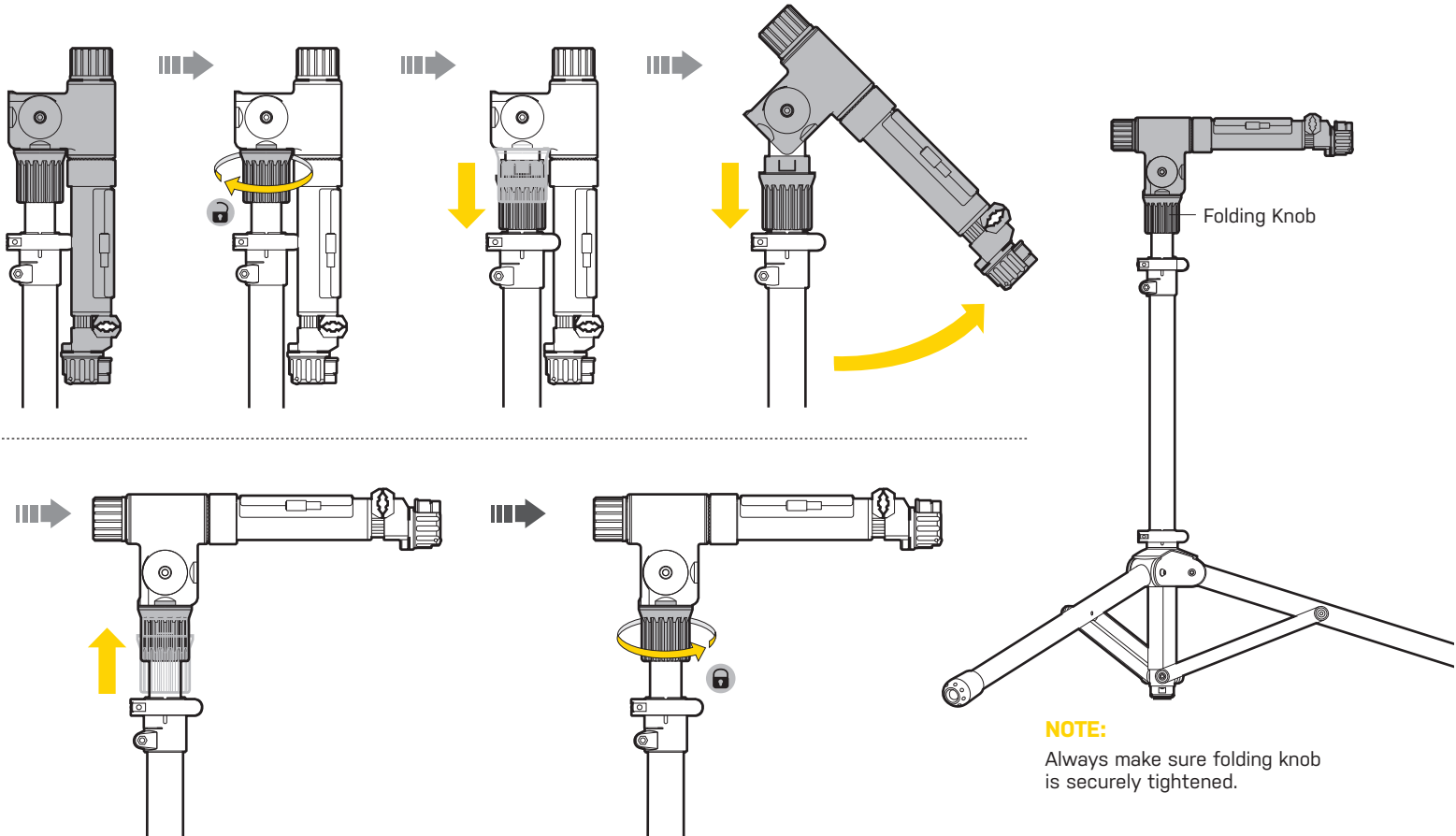
SUPPORT LEG ASSEMBLY



NOTE:
Always fully expand support leg
assembly for a steady foundation.

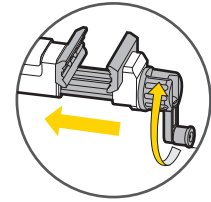
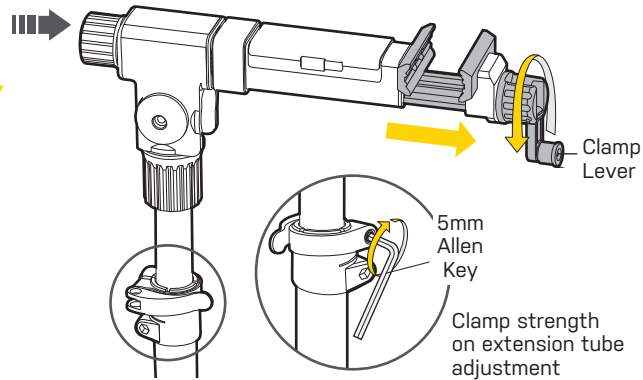
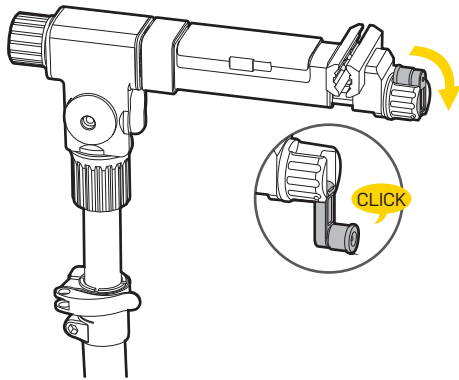
ASSEMBLY

MAIN UNIT ASSEMBLY



ADJUSTMENT

CLAMP STRENGTH ON EXTENSION TUBE AND CLAMP JAW ADJUSTMENT

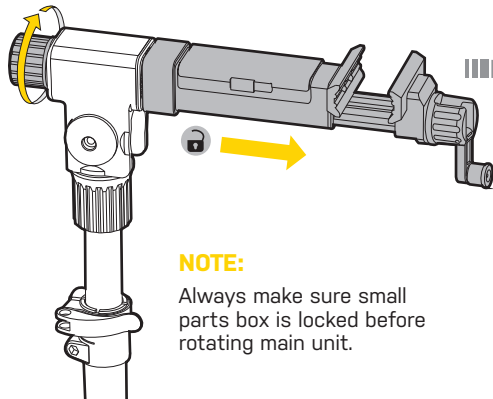


⚠ CAUTION

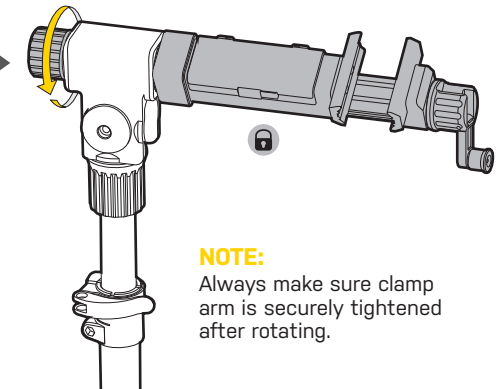
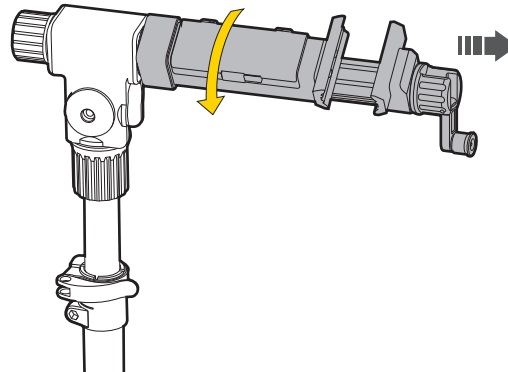
Tighten the clamp lever carefully. Over-tightening may cause damage to your bike.

ADJUSTMENT

ROTATION ADJUSTMENT

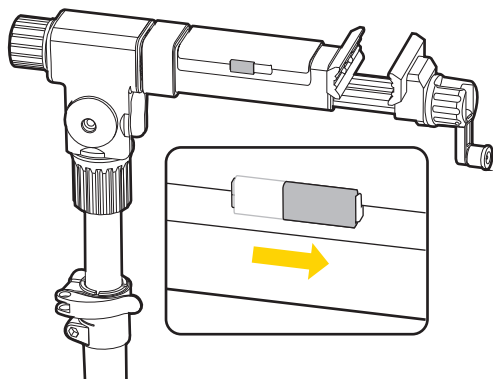


NOTE:
Always make sure small parts box is locked before rotating main unit.

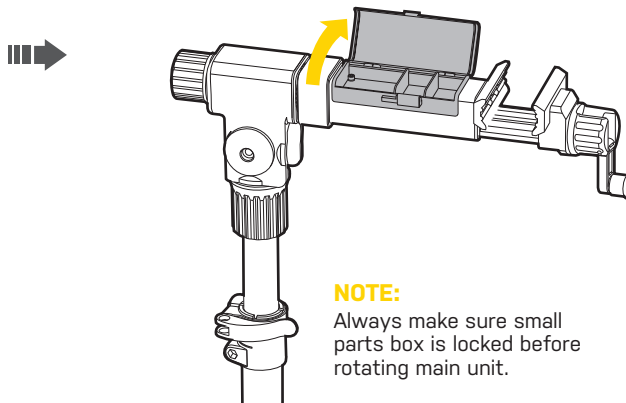


NOTE:
Always make sure clamp arm is securely tightened after rotating.

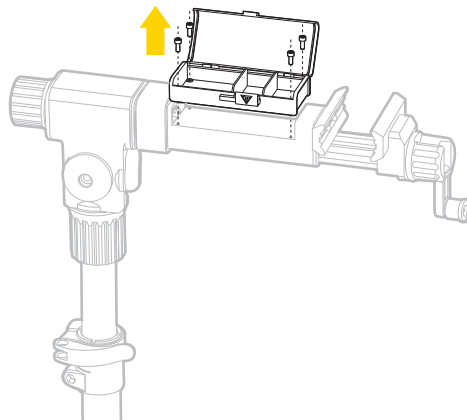
SMALL PARTS BOX



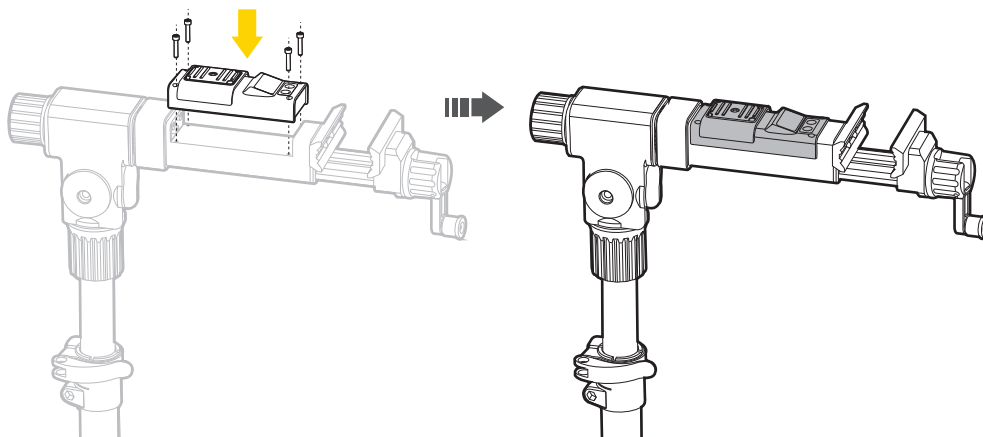
SMALL PARTS BOX OPERATION



WEIGHT SCALE



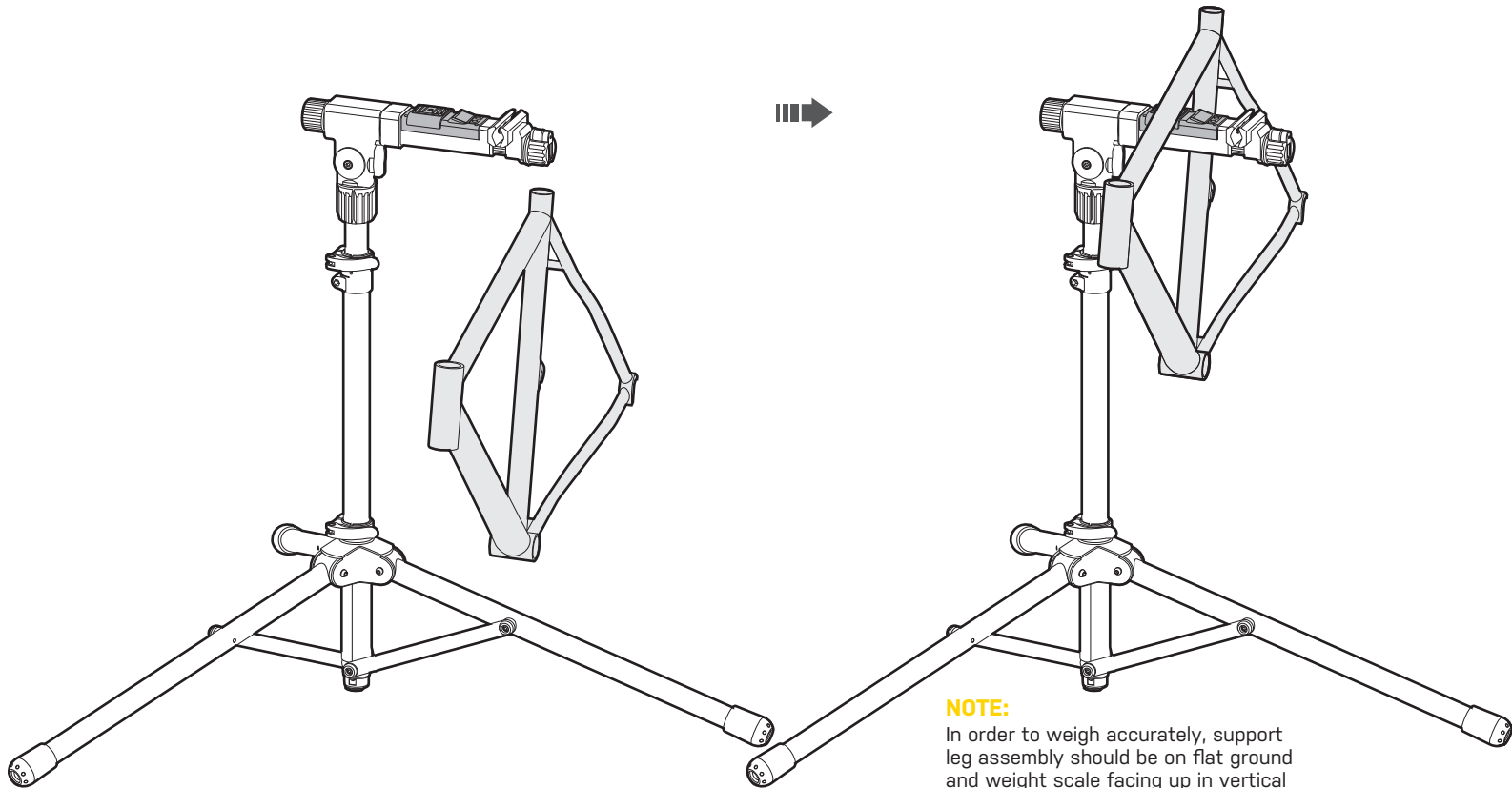
CONVERT SMALL PARTS BOX TO WEIGHT SCALE



PREPSTAND PRO (WITH WEIGHT SCALE)

PREPSTAND WITH WEIGHT SCALE

WEIGHT MEASUREMENT



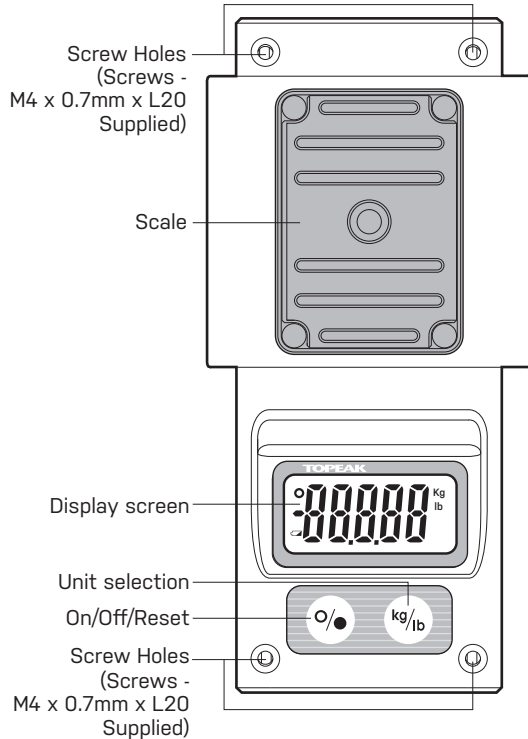
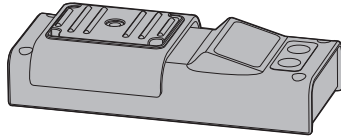
NOTE:

In order to weigh accurately, support leg assembly should be on flat ground and weight scale facing up in vertical position. Make sure item being weighed is not touching Prepstand.

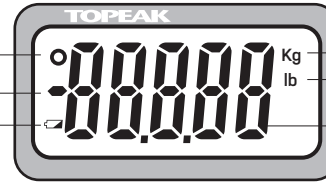
WEIGHT SCALE

QUICK START MANUAL

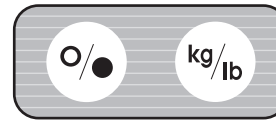
Size: (L x W x H)
5.4" x 2.5" x 1"
Weight: 240 g



Ready to weigh/
weight completed
indicator
Negative indicator
Low battery indicator



Weight units
Digital display screen



BE AWARE
Measured data from the Topeak weight scale is for personal reference only and should not be used for commercial purposes.

OPERATION:

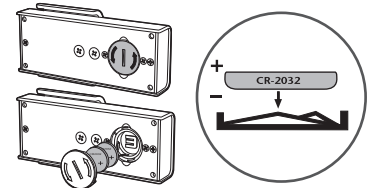
- **On** Press
- **Off** Press and hold for 3 seconds.
- **Unit Selection** Press kg ↔ lb
- **Reset** Press when unit is on.
- **Auto-off** Display screen will shut off automatically after 3 minutes of inactivity.

NOTE:

Maximum weight capacity is **25 kg (55 lb)**, accuracy tolerance: **± 20 g**

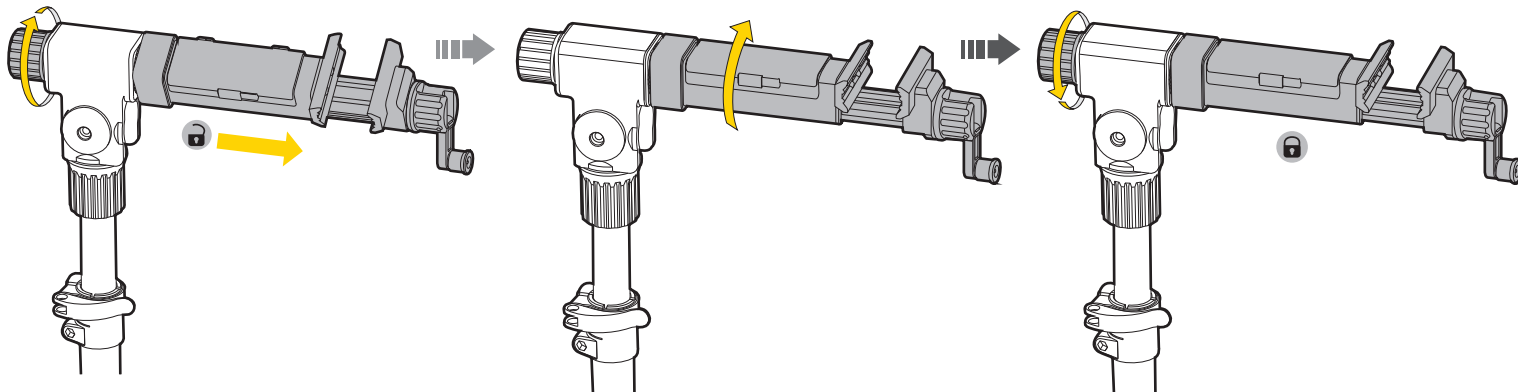
CHANGING BATTERIES (CR2032 x 2 pcs)

1. Open battery cover.
2. Replace batteries. Be sure positive and negative side of batteries are inserted correctly when replacing.



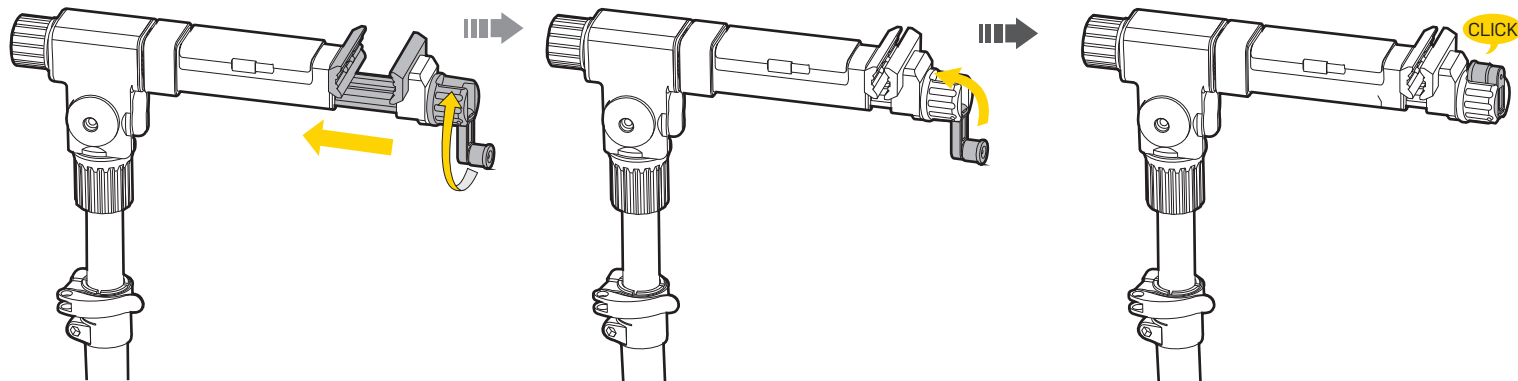
PREPSTAND ELITE DISASSEMBLY

ROTATE CLAMP ARM TO HORIZONTAL POSITION



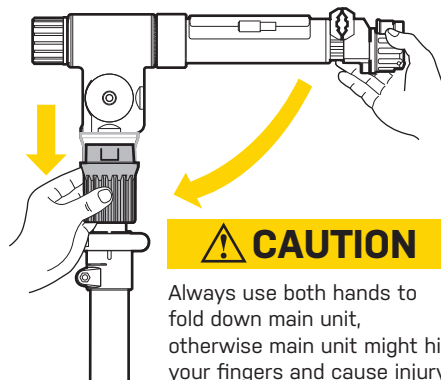
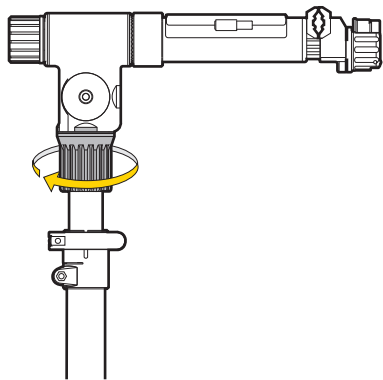
DISASSEMBLY

CLOSE CLAMP JAWS



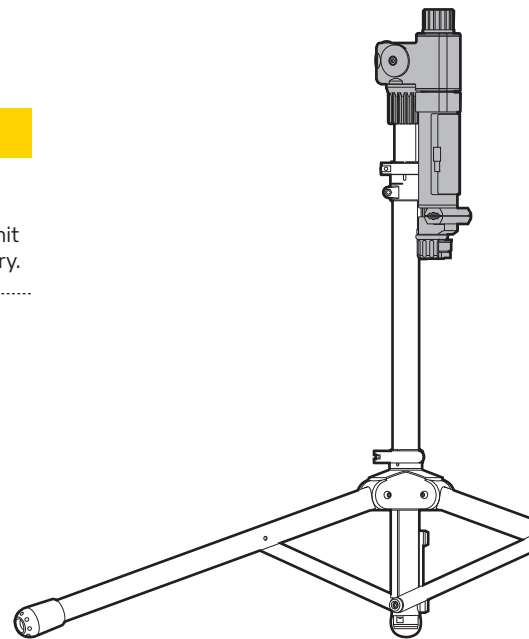
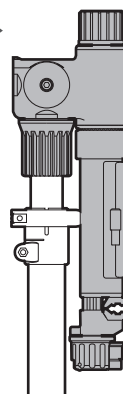
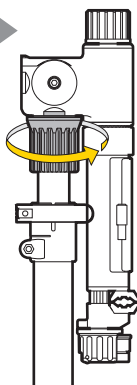
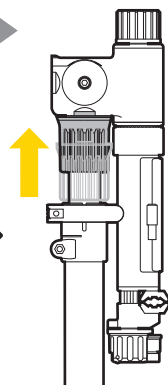
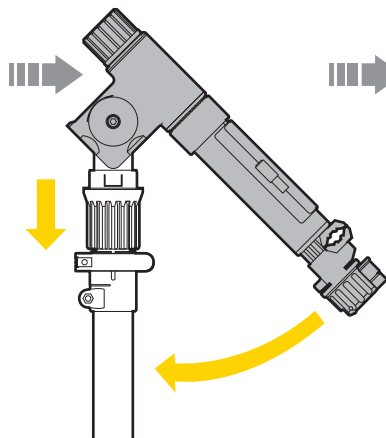
DISASSEMBLY

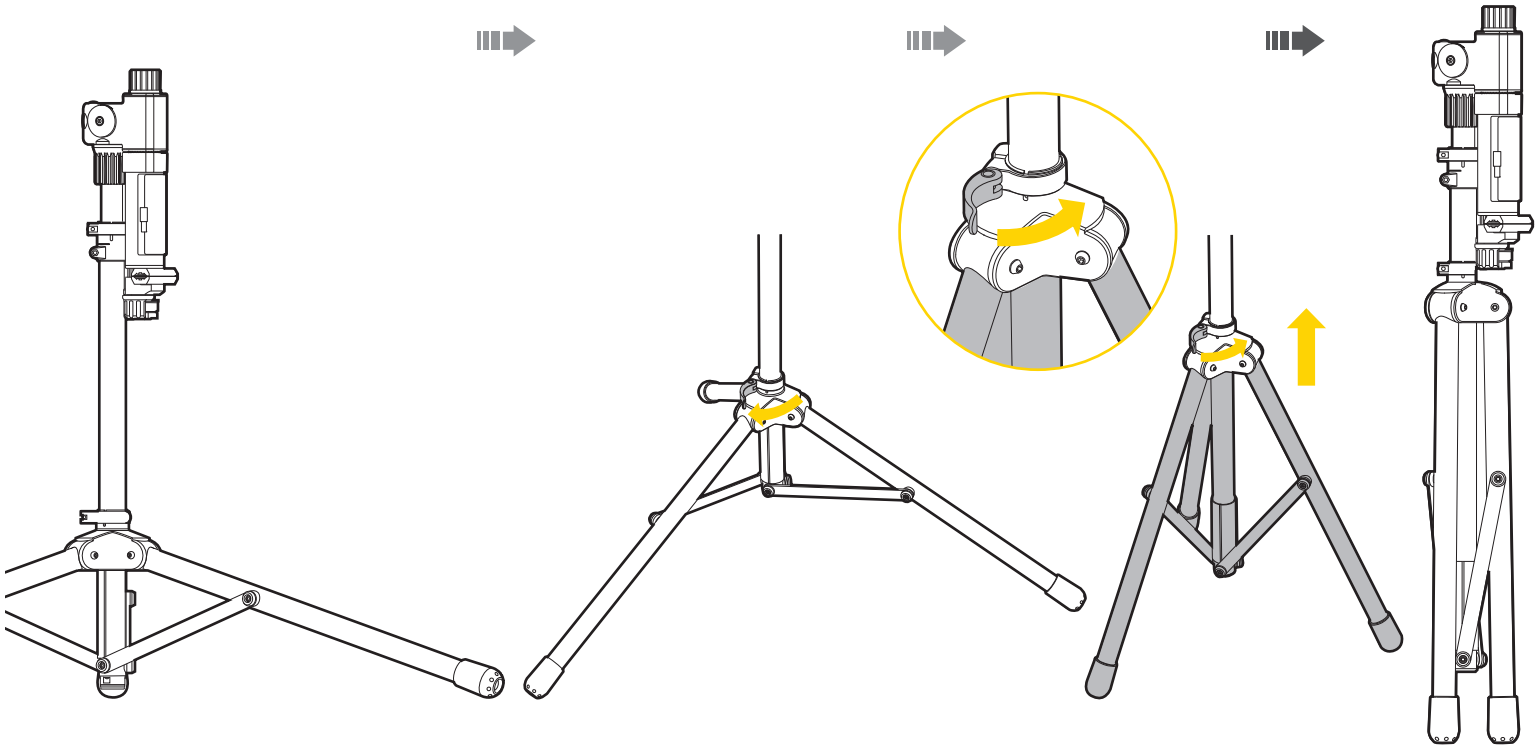
FOLD MAIN UNIT



⚠ CAUTION

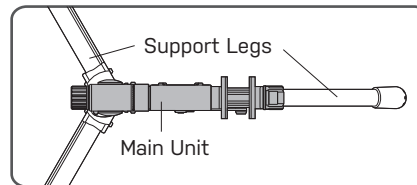
Always use both hands to fold down main unit, otherwise main unit might hit your fingers and cause injury.





IMPORTANT

1. Always fully expand support leg assembly for a steady foundation.
2. Always make sure folding knob is securely tightened.
3. Always make sure clamp arm is securely tightened after rotating.
4. Always make sure small parts box is locked before rotating main unit.
5. Tighten the clamp lever carefully. Over-tightening may cause damage to your bike.
6. In order to weigh accurately, support leg assembly should be on flat ground and weight scale is facing up in vertical position. Make sure item being weighed is not touching the Prepstand.
7. The Weight Scale is water resistant, however, care should be taken when used in wet environments. The Weight Scale should never be submerged in water.
8. When cleaning the Weight Scale, use only a damp cloth to remove excess dirt. Never use compressed air to clean the Weight Scale.
9. Always use both hands to fold down main unit, otherwise main unit might hit your fingers and cause injury.
10. Always make sure the 360° rotation knob and folding knob are securely tightened when mounting bike.
11. When releasing clamp jaws to remove bike, hold bike to prevent it from falling.
12. When setting up bike, make sure QR clamp levers are tightened.
13. Keep main unit parallel with one of the support legs for stability.



14. Both PrepStand Elite and PreStand Pro are equipped with air cushion valve. (see detailed parts description) It allows extension tube to slide down smoothly when adjusting height or disassembling.

WARRANTY

2-year Warranty: All mechanical components against manufacturer defects only.

1-year Warranty: All electronic components (weight scale) against manufacturer defects only. Batteries are not covered under any implied warranty.

Warranty Claim Requirements

To obtain warranty service, you must have your original sales receipt. Items returned without a sales receipt will assume that the warranty begins on the date of manufacture. All warranties will be void if the product is damaged due to user crash, abuse, system alteration, modification, or used in any way not intended as described in this manual.

* The specifications and design are subject to change without notice.

Please contact your Topeak dealer with any questions.

For USA customer service call : 1-800-250-3068

www.topeak.com



M-TW001-1-GB 09/15